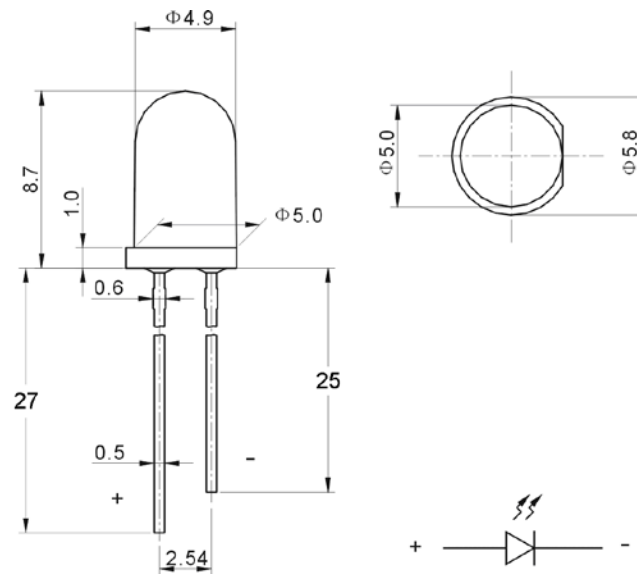


Part No.: F5 (emission)940

UNIT: mm



NOTE: TOLERANCE  $\pm 0.5$ mm

Parameter	Symbol	Min.	Typ.	Max.	UNIT	Test Condition
Forward Voltage	$V_F$	1.50	1.60	1.80	V	$I_F=50\text{mA}$
Radiant Intensity	$E_e$	22		30	mW/sr	$I_F=50\text{mA}$
Peak Wavelength	$\lambda_p$		940		nm	$I_F=50\text{mA}$
Reverse Current	$I_R$			10	$\mu\text{A}$	$V_R=5\text{V}$
Transient Peak Current	$I_f$ (Peak)			20	mA	
Viewing Angle	$\theta$		30		deg	$I_F=50\text{mA}$
Power dissipation	$P_d$		100		mW	

■ ABSOLUTE MAXIMUM RATINGS: ( $T_a = 25^\circ\text{C}$ )

■ OPERATING TEMPERATURE:  $-40^\circ\text{C}$  TO  $+80^\circ\text{C}$

■ LEAD SOLDERING:  $240^\circ\text{C}$  FOR 3 SECONDS