

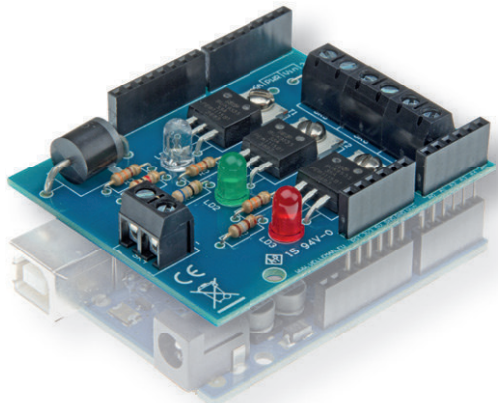
KA01

ILLUSTRATED ASSEMBLY MANUAL HKA01IP'1

RGB Shield for Arduino®



velleman®
projects



Control 3 dimmer channels (1 x RGB or 3 single channels) with Arduino UNO™.

Features

- For use with Arduino Due™, Arduino Uno™, Arduino Mega™
- RGB indicator leds
- Screw terminals for led strip connection.
- With cascade connectors for other shields
- Selectable power supply: external power or power from Arduino Uno™ board

Specifications

- Max. current: 2A/channel
- Max. input voltage: 50VDC
- Dimensions: 68 x 53mm / 2.67 x 2.08"



Search product

Search Product

Navigation

- Home page
- products
- Sales outlets
- Support
- Publications
- Jobs
- About us

News

NEW MK193 LED CUBE

CubeAnimator software
available for download
here!!!

Posted on 04-06-12

[Read more...](#)

Velleman Projects Newsletter

Are you an electronics enthusiast or simply interested in our kits, mini-kits, modules and instruments?

Subscribe to our Newsletter and receive every month the latest news, new products & updates on Velleman Projects.

You will receive an e-mail. Click on the link in that e-mail to confirm your subscription.

Email:



Do you want to unsubscribe? Click on the "unsubscribe" link in the footer of the last received newsletter from Velleman Projects.

- velleman.eu
- hapower.eu
- panel.eu
- vellemanprojects.com
- en - english - instruments
- velbus.eu
- forum.velleman.eu

Advertisements

DA1
DA2
A1
KB55(N) / VM11(N)
Android Application



Subscribing our newsletter?, visit www.vellemanprojects.eu

Login Register

View unanswered posts | View active topics

Board index

FAQ Search

It is currently: Fri Nov 19, 2010 4:00 pm

All times are UTC

		Topics	Posts	Last visit
General				
1	Forum rules - Regulations - Admin Read this - A long go premier too Moderator: Velleman Support	2	2	Fri Dec 04, 2010 10:44 am View forum
2	Forum Administration Velleman In-house Forum Etiquette Moderator: Velleman Support	1	4	Thu Nov 04, 2010 11:23 pm View forum
Velbus				
3	Velbus Home Automation Special section for our new Velbus home automation system (Domoticz) Moderator: Velleman Support	404	2072	Fri Nov 12, 2010 0:13 pm View forum
Kits (Working projects - Projects & modules)				
4	General For other topics, general tips and tricks, non-strict Moderator: Velleman Support	133	430	Wed Nov 03, 2010 11:37 pm View forum
5	Apple Kit Projects All about related projects, simplifika, value amplifiers Moderator: Velleman Support	961	2463	Fri Nov 14, 2010 6:32 pm View forum
6	PC Based Projects For projects that are connected to the PC via interface cards Moderator: Velleman Support	1438	4568	Thu Nov 18, 2010 0:08 pm View forum
7	Microcontroller Programming - Superlearning Projects Here you can discuss PIC programming, Assembly, etc. Moderator: Velleman Support	487	1768	Thu Nov 11, 2010 0:07 pm View forum
8	Tools and Clones All about our tools related projects from regular checks to programmable timers Moderator: Velleman Support	201	806	Fri Nov 05, 2010 6:40 pm View forum
9	Home Projects Household related projects, from light dimmers to remote control Moderator: Velleman Support	638	2383	Fri Nov 14, 2010 12:02 pm View forum



Participate our Velleman Projects Forum



assembly hints

1. Assembly (Skipping this can lead to troubles !)

Ok, so we have your attention. These hints will help you to make this project successful. Read them carefully.



1.1 Make sure you have the right tools:

- A good quality soldering iron (25-40W) with a small tip.
- Wipe it often on a wet sponge or cloth, to keep it clean; then apply solder to the tip, to give it a wet look. This is called 'thinning' and will protect the tip, and enables you to make good connections. When solder rolls off the tip, it needs cleaning.
- Thin raisin-core solder. Do not use any flux or grease.
- A diagonal cutter to trim excess wires. To avoid injury when cutting excess leads, hold the lead so they cannot fly towards the eyes.
- Needle nose pliers, for bending leads, or to hold components in place.
- Small blade and Phillips screwdrivers. A basic range is fine.



☞ For some projects, a basic multi-meter is required, or might be handy



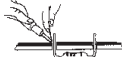
1.2 Assembly Hints :

- Make sure the skill level matches your experience, to avoid disappointments.
- Follow the instructions carefully. Read and understand the entire step before you perform each operation.
- Perform the assembly in the correct order as stated in this manual
- Position all parts on the PCB (Printed Circuit Board) as shown on the drawings.
- Values on the circuit diagram are subject to changes, the values in this assembly guide are correct*
- Use the check-boxes to mark your progress.
- Please read the included information on safety and customer service

* Typographical inaccuracies excluded. Always look for possible last minute manual updates, indicated as 'NOTE' on a separate leaflet.

1.3 Soldering Hints :

1. Mount the component against the PCB surface and carefully solder the leads

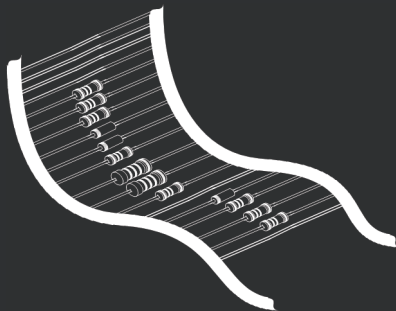


2. Make sure the solder joints are cone-shaped and shiny



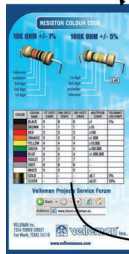
3. Trim excess leads as close as possible to the solder joint



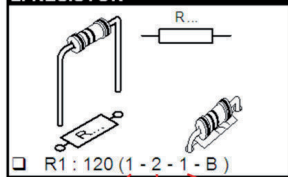


REMOVE THEM FROM THE TAPE ONE AT A TIME !

Included in
this kit



2. RESISTOR



COLOUR	COLOUR NAME	1ST DIGIT/ STRIPE	2ND DIGIT/ STRIPE	3RD DIGIT/ STRIPE	MULTIPLIER STRIPE	TOLE 4TH!
Black	BLACK	0	0	0	x1	1%
Brown	BROWN	1	1	1	x10	
Red	RED	2	2	2	x100	
Orange	ORANGE	3	3	3	x1.000	
Yellow	YELLOW	4	4	4	x10.000	
Green	GREEN	5	5	5	x100.000	
Blue	BLUE	6	6	6	x1.000.000	

DO NOT BLINDLY FOLLOW THE ORDER OF THE COMPONENTS ONTO THE TAPE. ALWAYS CHECK THEIR VALUE ON THE PARTS LIST!

I CONSTRUCTION

1 Jumper

Select power source

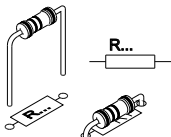


- Vin: power from Arduino®

OR

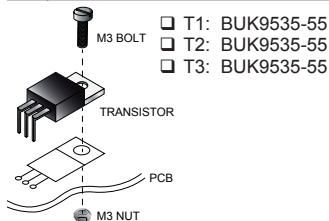
- PWR: Power from external supply

2 Resistors

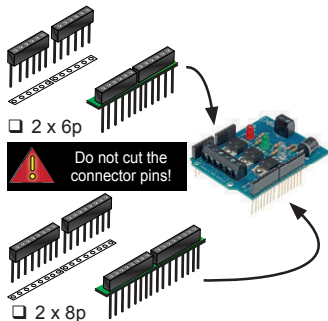


- R1: 1K (1 - 0 - 2 - B)
- R2: 68 (6 - 8 - 0 - B)
- R3: 180 (1 - 8 - 1 - B)
- R4: 330 (3 - 3 - 1 - B)
- R5: 330 (3 - 3 - 1 - B)
- R6: 330 (3 - 3 - 1 - B)

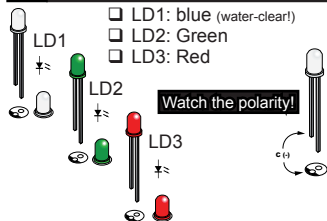
3 Transistors



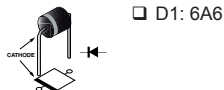
4 Female header



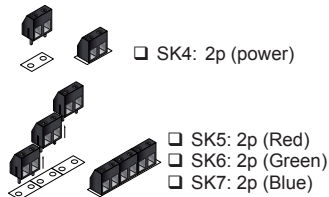
5 LED's



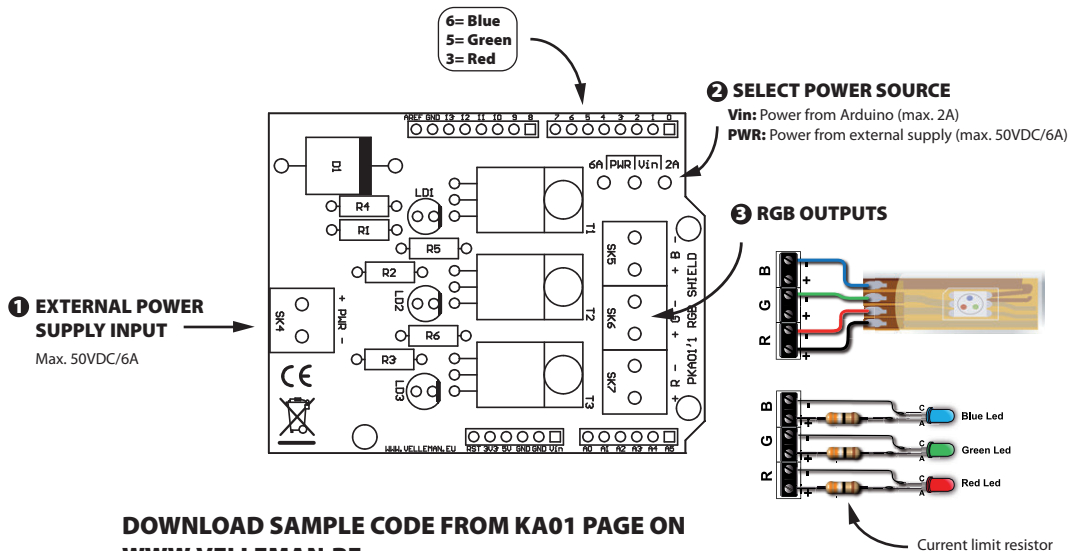
6 Diode

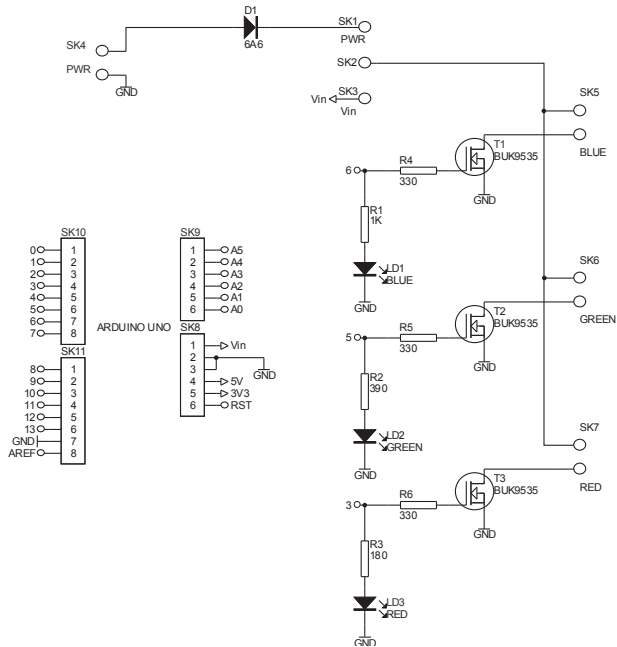


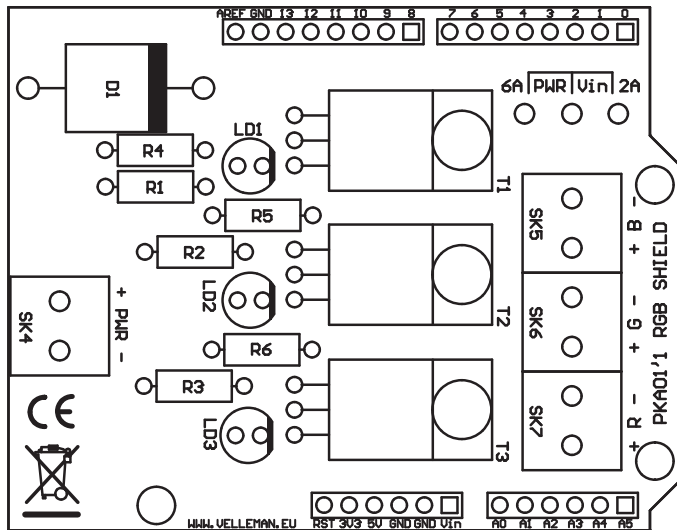
7 Terminal blocks



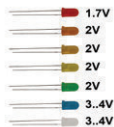
II CONNECTION DIAGRAM



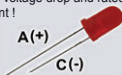




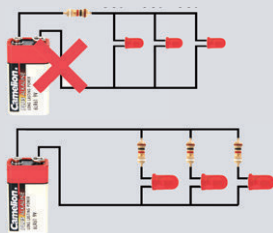
Leds and how to use them



Leds feature a specific voltage drop, depending on type and colour. Check the datasheet for exact voltage drop and rated current!



Never connect leds in parallel



How to Calculate the series resistor:

Example: operate a red led (1.7V) on a 9Vdc source.

Required led current for full brightness: 5mA (this can be found in the datasheet of the led)

$$\frac{\text{Supply voltage (V) - led voltage (V)}}{\text{required current (A)}} = \text{series resistance (ohms)}$$



$$\frac{9V - 1.7V}{0.005A} = 1460 \text{ ohm}$$

closest value :
use a 1k5 resistor

Required resistor power handling=
voltage over resistor x current passed trough resistor



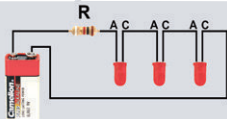
$$(9V - 1.7V) \times 0.005A = 0.036W$$

a standard 1/4W resistor
will do the job

LEDs in series:

Example: 3 x red led (1.7V) on 9V battery

Required led current for full brightness: 5mA
(this can be found in the datasheet of the led)



$$\frac{\text{Supply voltage (V) - (number of leds x led voltage (V))}}{\text{required current (A)}} = \text{series resistance (ohms)}$$

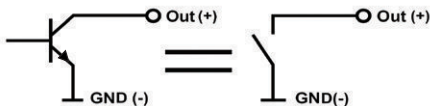


$$\frac{9V - (3 \times 1.7V)}{0.005A} = 780 \text{ ohm}$$

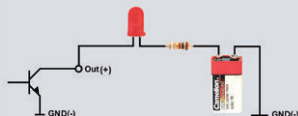
use an
820 ohm resistor

open collector outputs

An open collector output can be compared to a switch which switches to ground when operated



Example: How to switch an LED by means of an open collector output





The new Velleman Projects catalogue is
now available. Download your copy here:
www.vellemanprojects.eu



Modifications and typographical errors reserved - © Velleman nv. HKA01'IP
Velleman NV, Legen Heinweg 33 - 9890 Gavere.