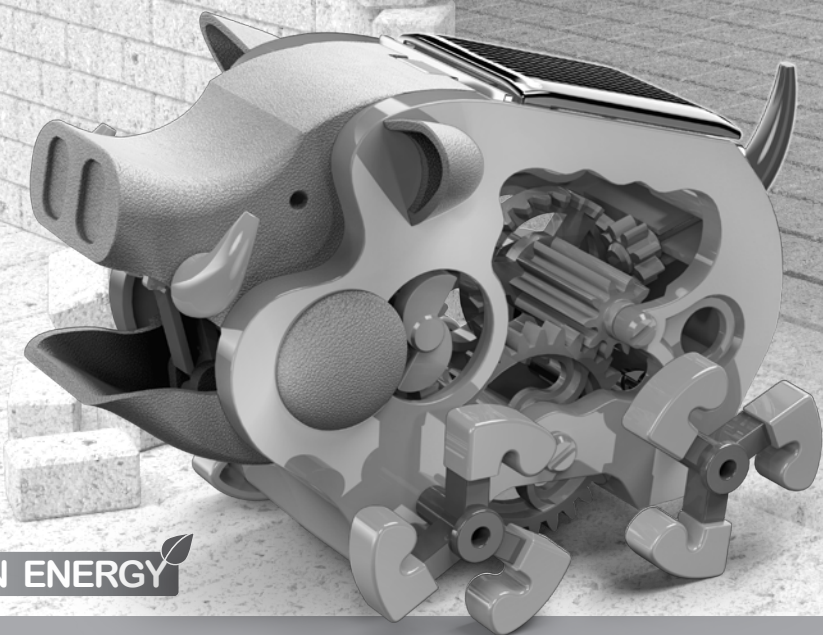


SOLAR WILD BOAR



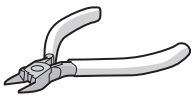
GREEN ENERGY 

Assembly & Instruction Manual

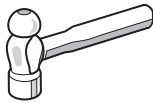
SOLAR WILD BOAR

Solar Wild Boar is a basic solar DIY toy, it is ideal for a do-it-yourself science fair, after-school, or summer workshop project with the bonus gift of learning mechanical transmission and electrical motor theory. With only 47 assembly parts, it's a wonderful instrument for the beginner enthusiast 8 years and up, and a gateway to ignite opportunities in fun learning.

Tools You May Need



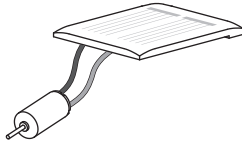
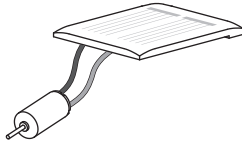




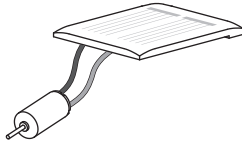






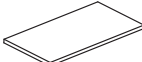
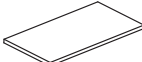


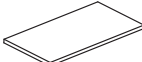









Diagonal Cutter



Hammer

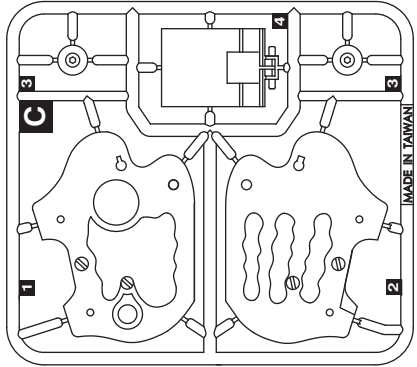
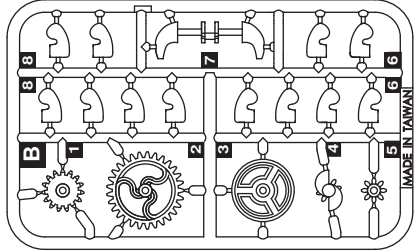
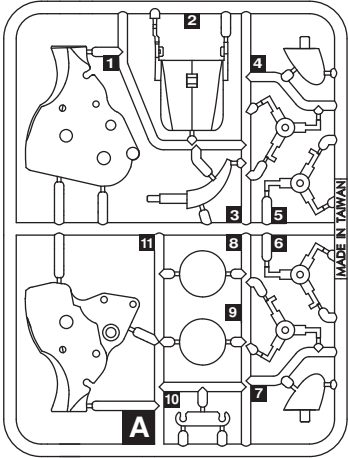
Mechanical Parts List

! Product contains functional edges and sharp points.

<table border="1"> <thead> <tr> <th data-bbox="66 775 121 828">P1</th> <th data-bbox="121 775 508 828">Solar Panel With Motor</th> <th data-bbox="437 828 508 881">QTY</th> </tr> </thead> <tbody> <tr> <td colspan="2" data-bbox="66 828 437 979">  </td> <td data-bbox="437 881 508 979">1</td> </tr> <tr> <td colspan="3" data-bbox="66 979 508 1025"> ! Don't connect the wires to the mains. </td> </tr> </tbody> </table>	P1	Solar Panel With Motor	QTY			1	! Don't connect the wires to the mains.			<table border="1"> <thead> <tr> <th data-bbox="519 775 574 828">P2</th> <th data-bbox="574 775 763 828">Pinion Gear (Yellow)</th> <th data-bbox="692 828 763 881">QTY</th> </tr> </thead> <tbody> <tr> <td colspan="2" data-bbox="519 828 692 979">  </td> <td data-bbox="692 881 763 979">1</td> </tr> </tbody> </table>	P2	Pinion Gear (Yellow)	QTY			1	<table border="1"> <thead> <tr> <th data-bbox="774 775 828 828">P3</th> <th data-bbox="828 775 1025 828">Gear(Red)</th> <th data-bbox="951 828 1025 881">QTY</th> </tr> </thead> <tbody> <tr> <td colspan="2" data-bbox="774 828 951 979">  </td> <td data-bbox="951 881 1025 979">1</td> </tr> </tbody> </table>	P3	Gear(Red)	QTY			1
P1	Solar Panel With Motor	QTY																					
		1																					
! Don't connect the wires to the mains.																							
P2	Pinion Gear (Yellow)	QTY																					
		1																					
P3	Gear(Red)	QTY																					
		1																					
<table border="1"> <thead> <tr> <th data-bbox="66 1040 121 1093">P4</th> <th data-bbox="121 1040 375 1093">Gear(Orange)</th> <th data-bbox="306 1093 375 1146">QTY</th> </tr> </thead> <tbody> <tr> <td colspan="2" data-bbox="66 1093 306 1215">  </td> <td data-bbox="306 1146 375 1215">1</td> </tr> </tbody> </table>	P4	Gear(Orange)	QTY			1	<table border="1"> <thead> <tr> <th data-bbox="386 1040 441 1093">P5</th> <th data-bbox="441 1040 695 1093">Gear With Shaft(Blue)</th> <th data-bbox="626 1093 695 1146">QTY</th> </tr> </thead> <tbody> <tr> <td colspan="2" data-bbox="386 1093 626 1215">  </td> <td data-bbox="626 1146 695 1215">1</td> </tr> </tbody> </table>	P5	Gear With Shaft(Blue)	QTY			1	<table border="1"> <thead> <tr> <th data-bbox="706 1040 761 1093">P6</th> <th colspan="2" data-bbox="761 1040 1025 1093">Sponge</th> </tr> </thead> <tbody> <tr> <td colspan="2" data-bbox="706 1093 951 1215">  </td> <td data-bbox="951 1093 1025 1215">QTY 1</td> </tr> </tbody> </table>	P6	Sponge				QTY 1			
P4	Gear(Orange)	QTY																					
		1																					
P5	Gear With Shaft(Blue)	QTY																					
		1																					
P6	Sponge																						
		QTY 1																					
<table border="1"> <thead> <tr> <th data-bbox="66 1230 121 1283">P7</th> <th data-bbox="121 1230 375 1283">Hex Shaft</th> <th data-bbox="306 1283 375 1336">QTY</th> </tr> </thead> <tbody> <tr> <td colspan="2" data-bbox="66 1283 306 1406">  </td> <td data-bbox="306 1336 375 1406">2</td> </tr> </tbody> </table>	P7	Hex Shaft	QTY			2	<table border="1"> <thead> <tr> <th data-bbox="386 1230 441 1283">P8</th> <th data-bbox="441 1230 695 1283">Round Shaft(Short)</th> <th data-bbox="626 1283 695 1336">QTY</th> </tr> </thead> <tbody> <tr> <td colspan="2" data-bbox="386 1283 626 1406">  </td> <td data-bbox="626 1336 695 1406">1</td> </tr> </tbody> </table>	P8	Round Shaft(Short)	QTY			1	<table border="1"> <thead> <tr> <th data-bbox="706 1230 761 1283">P9</th> <th data-bbox="761 1230 1025 1283">Round Shaft(Long)</th> <th data-bbox="951 1283 1025 1336">QTY</th> </tr> </thead> <tbody> <tr> <td colspan="2" data-bbox="706 1283 951 1406">  </td> <td data-bbox="951 1336 1025 1406">2</td> </tr> </tbody> </table>	P9	Round Shaft(Long)	QTY			2			
P7	Hex Shaft	QTY																					
		2																					
P8	Round Shaft(Short)	QTY																					
		1																					
P9	Round Shaft(Long)	QTY																					
		2																					

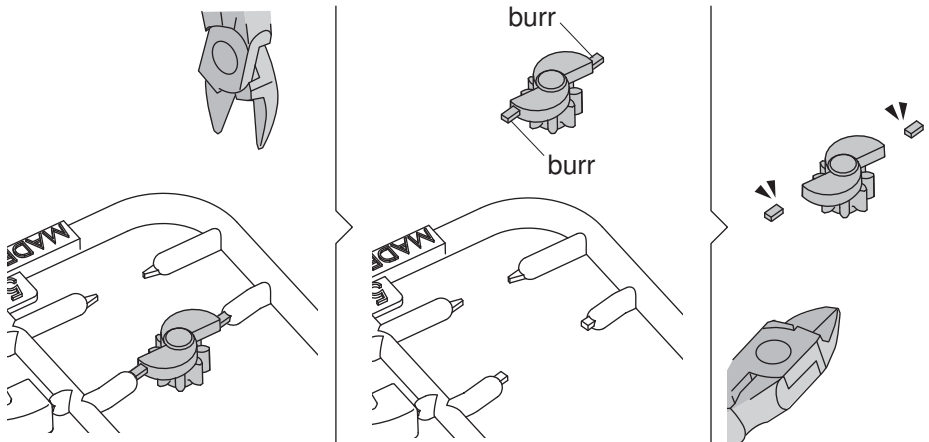
Plastic Parts

! Cut the plastic parts when they are required.
Do not cut them in advance.

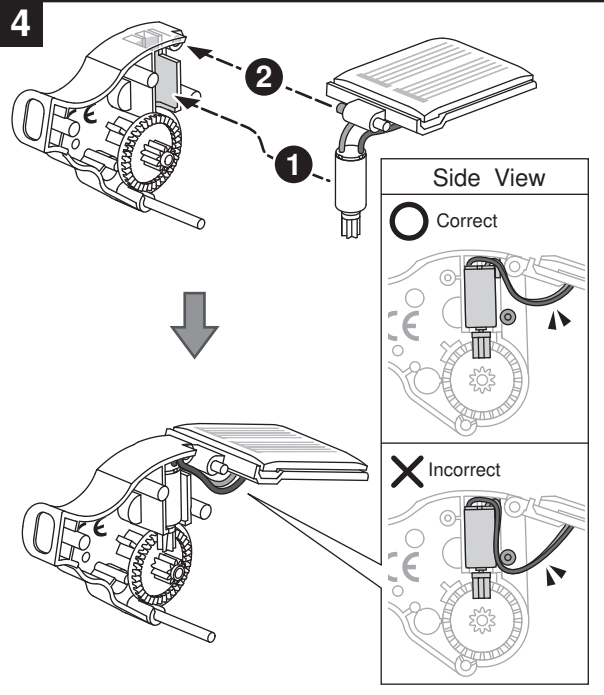
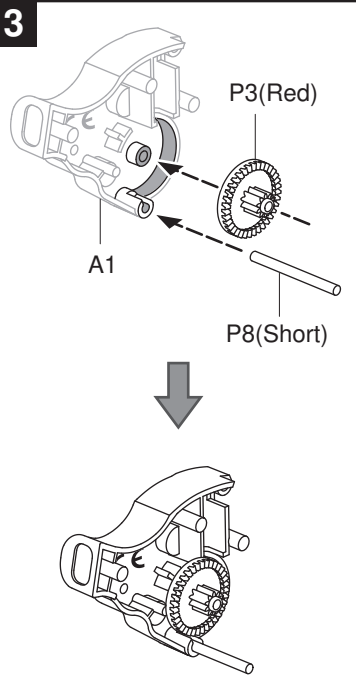
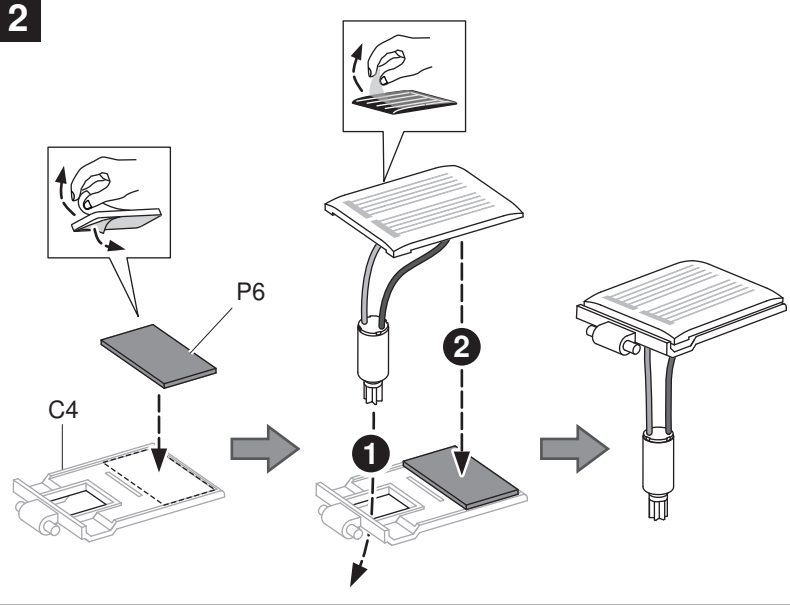
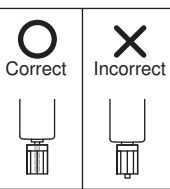
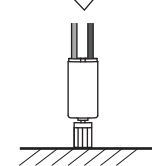
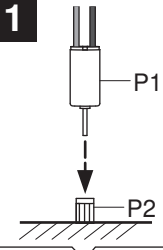


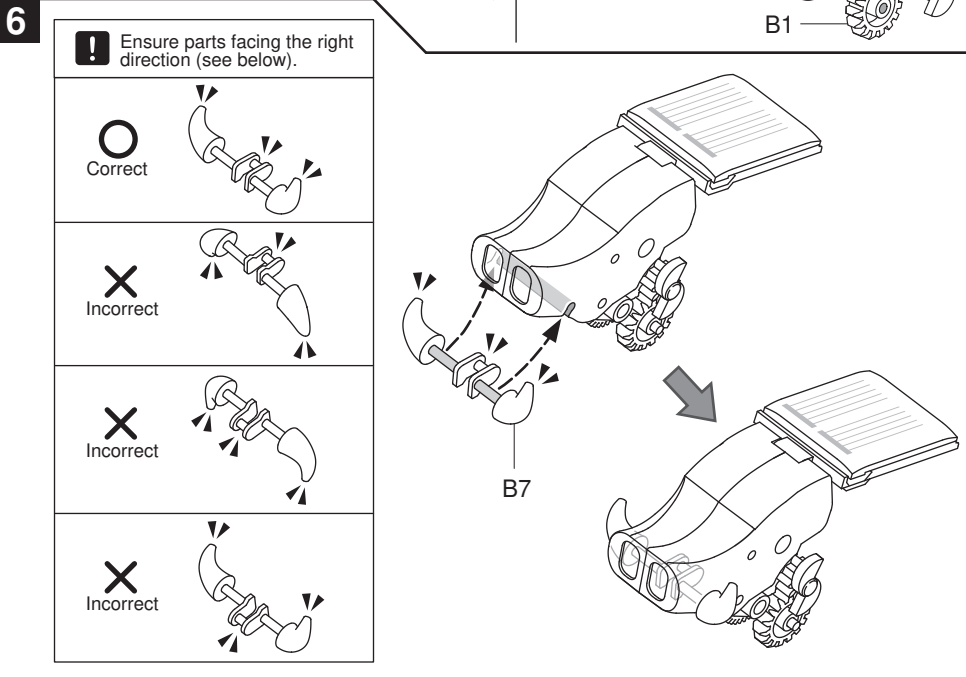
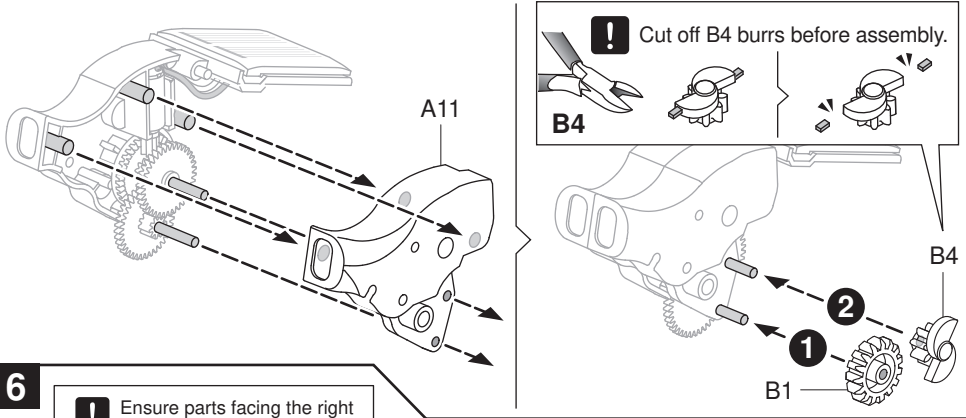
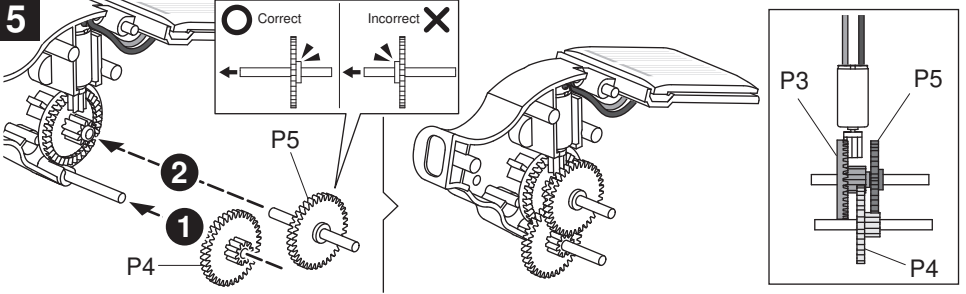
Hints

Cut off the burrs before assembly.

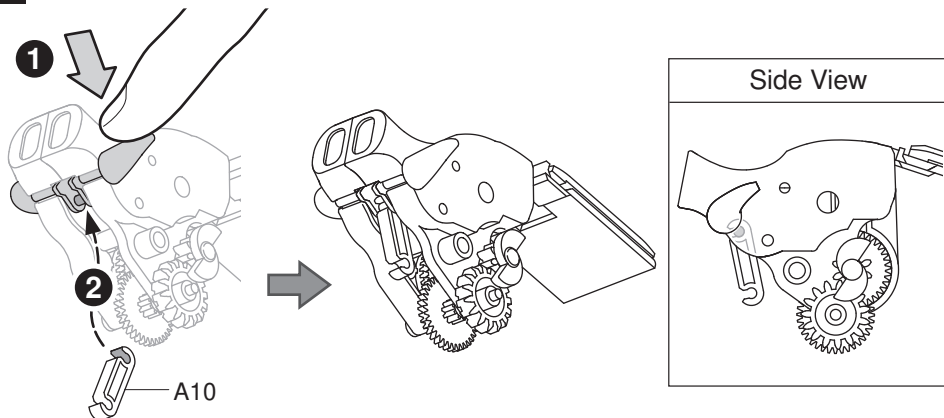


Mechanical Assembly

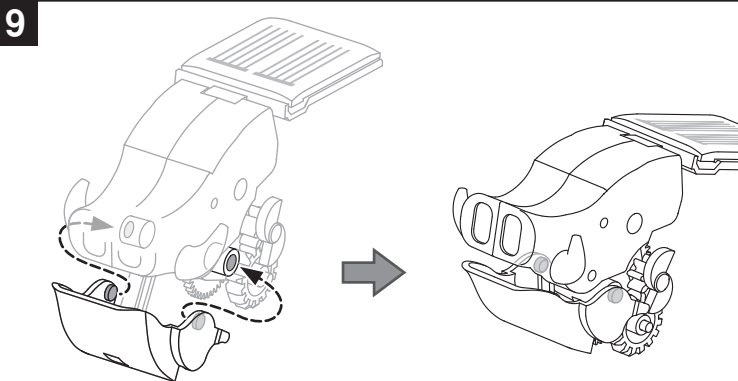
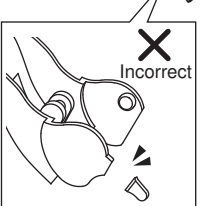
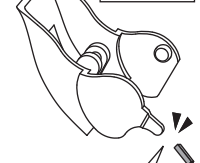
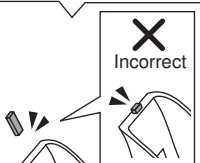
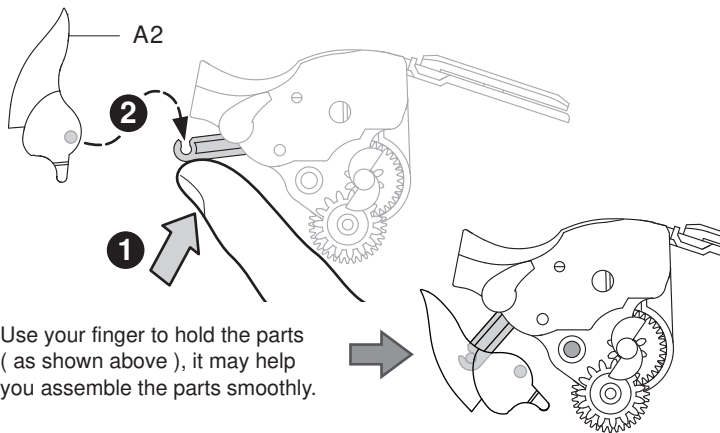
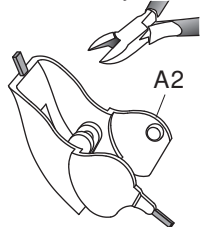




7 Use your finger to hold the parts (as shown below), it may help you assemble the parts smoothly.

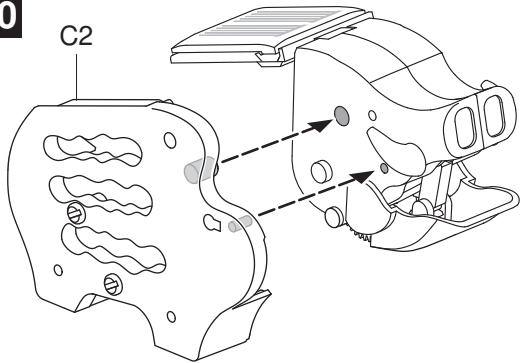


8 **!** Cut off the two burrs before assembly.



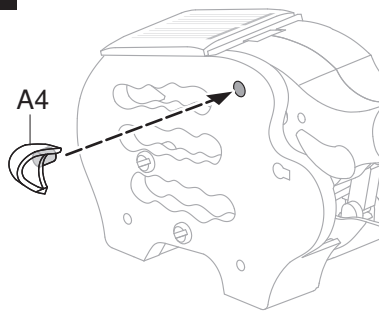
10

C2



11

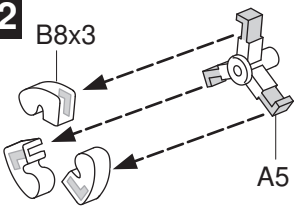
A4



12

B8x3

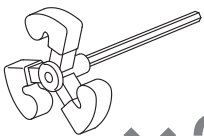
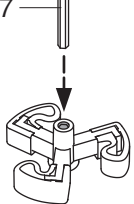
A5



! Slightly hammer P7 into A5.

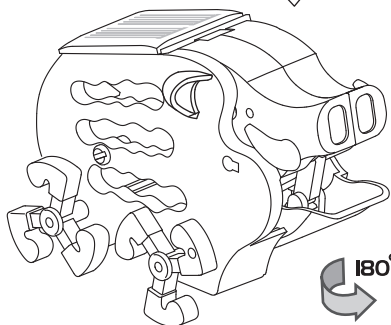
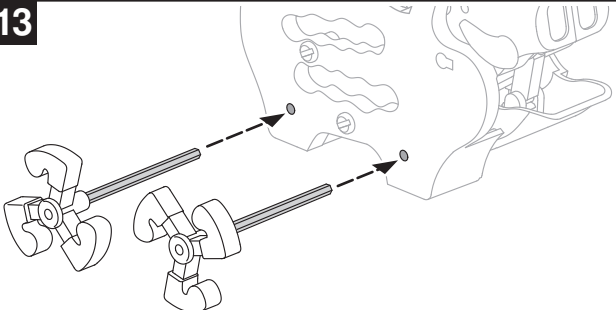


P7

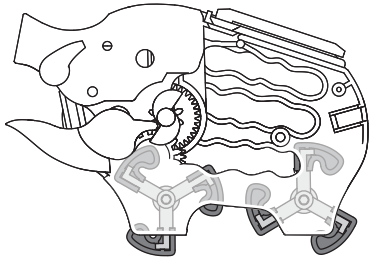


x2

13

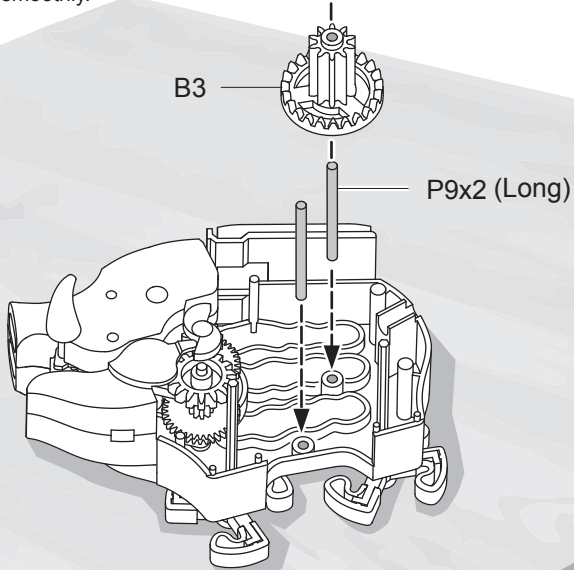


180°

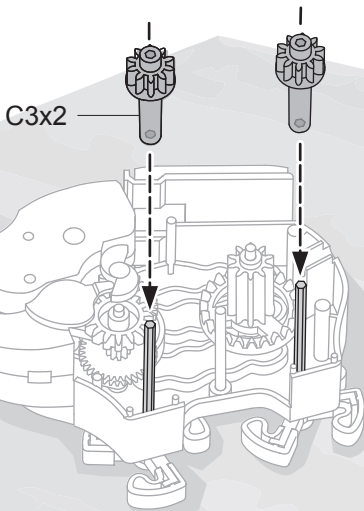


! The open -side - face up (as per the pic).

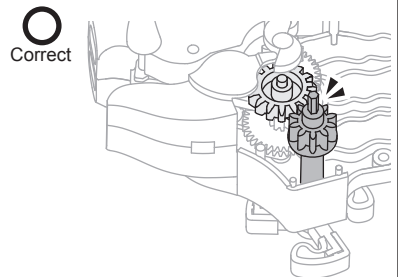
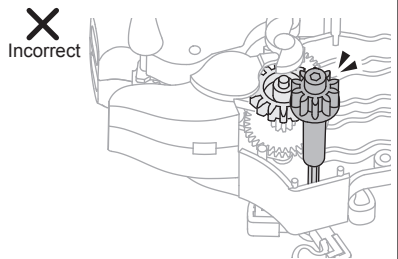
14 < Note > Step 14~19 Have the parts assemble on the desk/or platform, it may help to install smoothly.



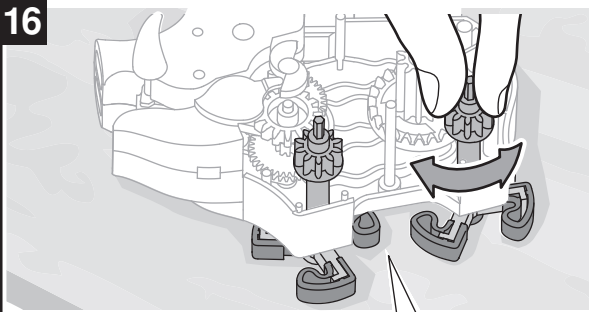
15



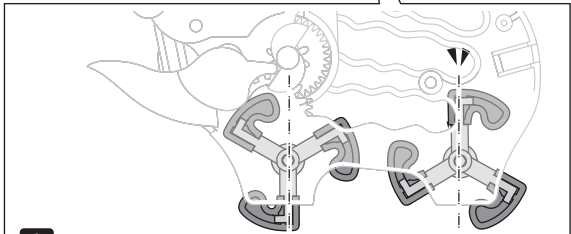
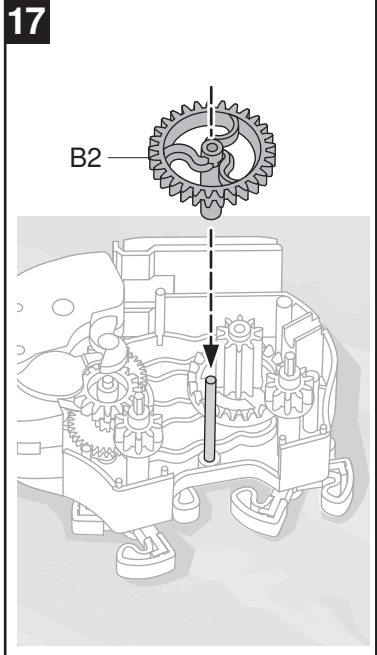
! *Very Important !*
Press C3 to the bottom.



16



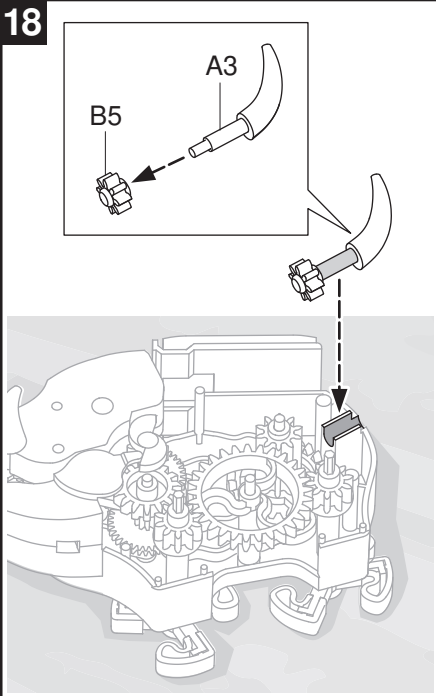
17



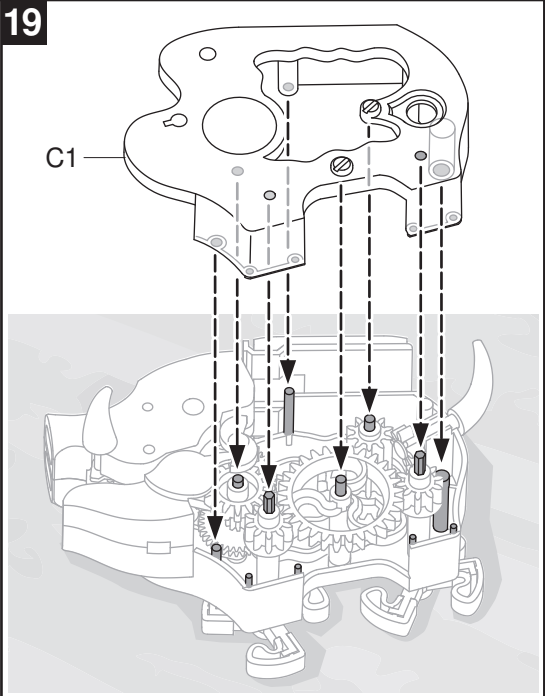
! *Very Important !*

Please point the feet in the direction illustrated above before inserting B2 part.

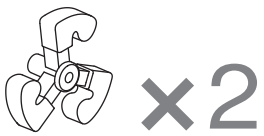
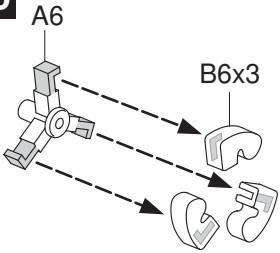
18



19



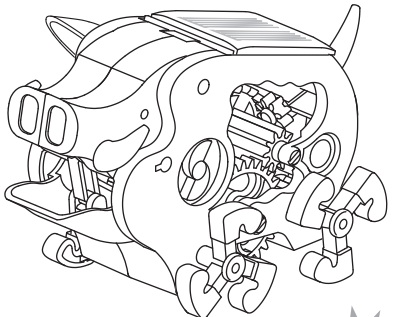
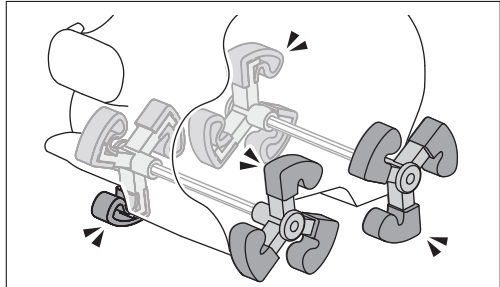
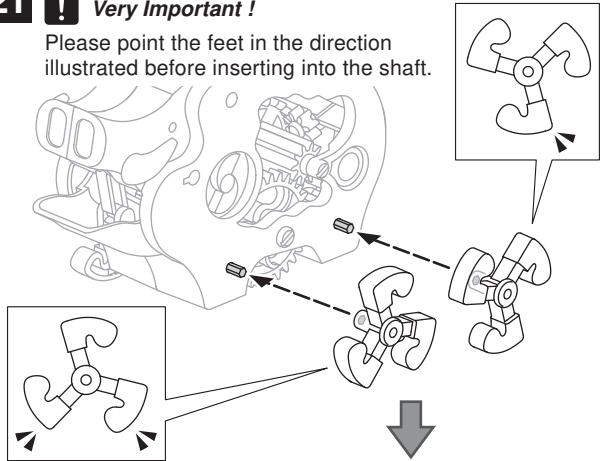
20



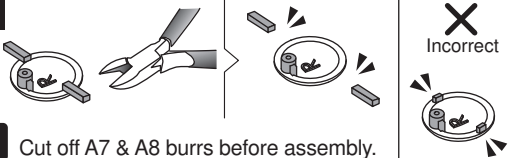
21

! Very Important !

Please point the feet in the direction illustrated before inserting into the shaft.



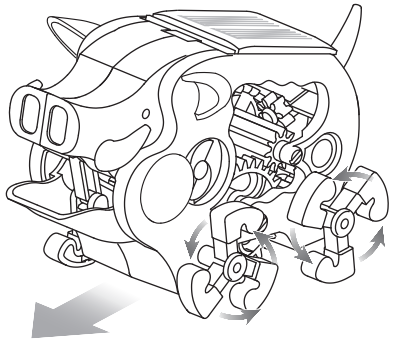
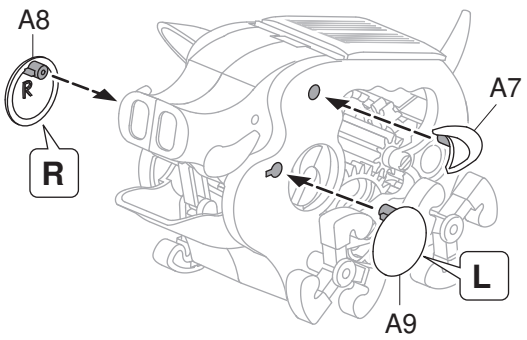
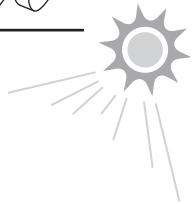
22



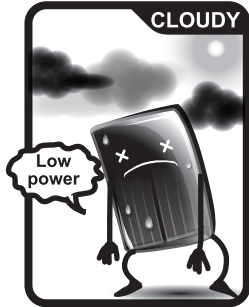
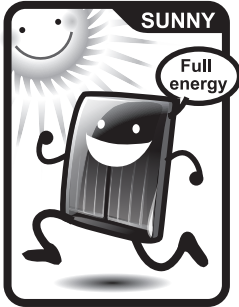
! Cut off A7 & A8 burrs before assembly.

23

Running



It's time to have some FUN !



1. Take outside under direct sunlight. Best results are obtained when operated on a sunny day.
2. For indoor fun, use a 50 watt halogen light. The product will not run on a cloudy day, shaded locations, indirect sunlight, or under a Fluorescent light.

SOLAR WILD BOAR



WARNING :
CHOKING HAZARD
Small parts
Not for children under
3 years

